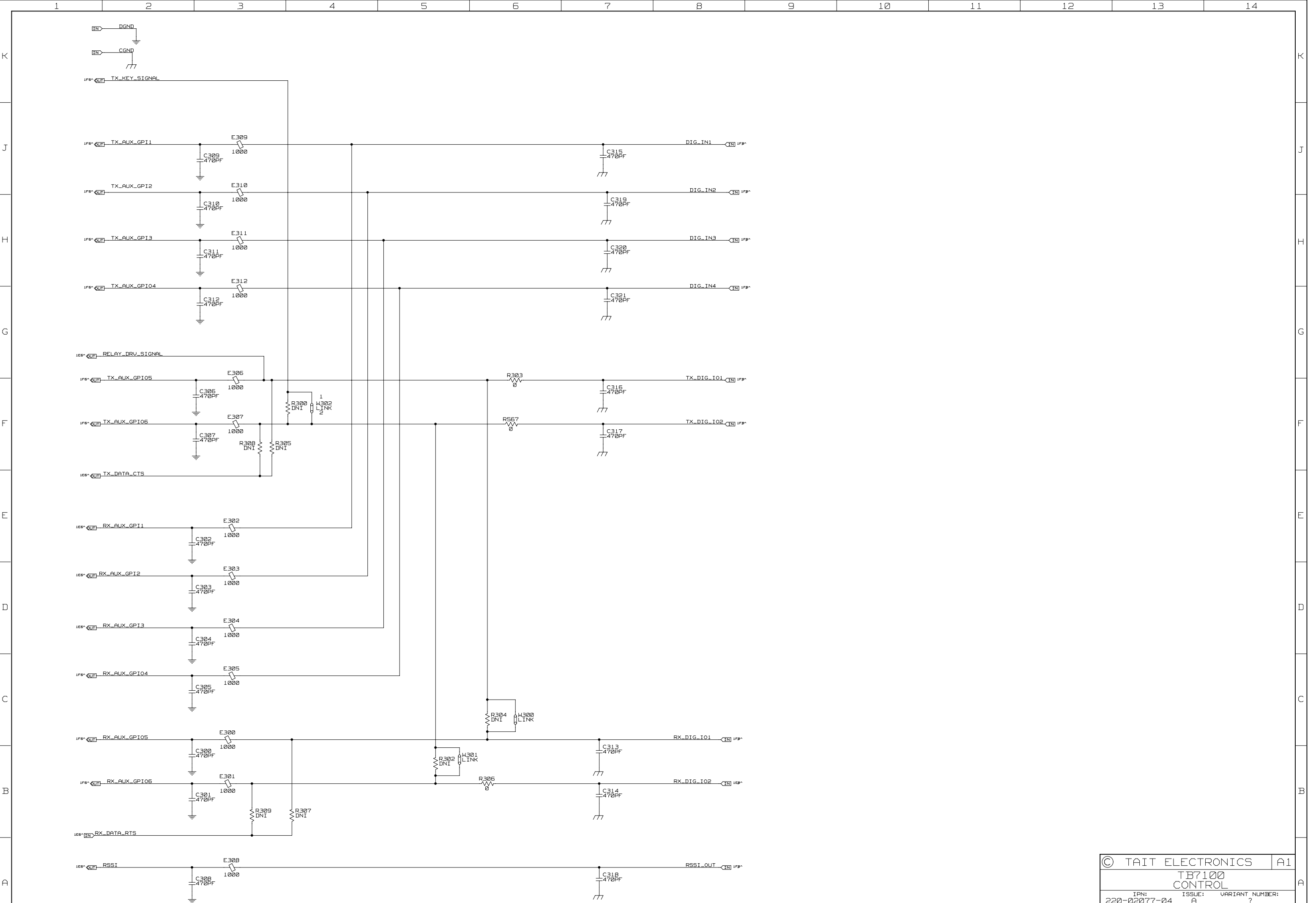
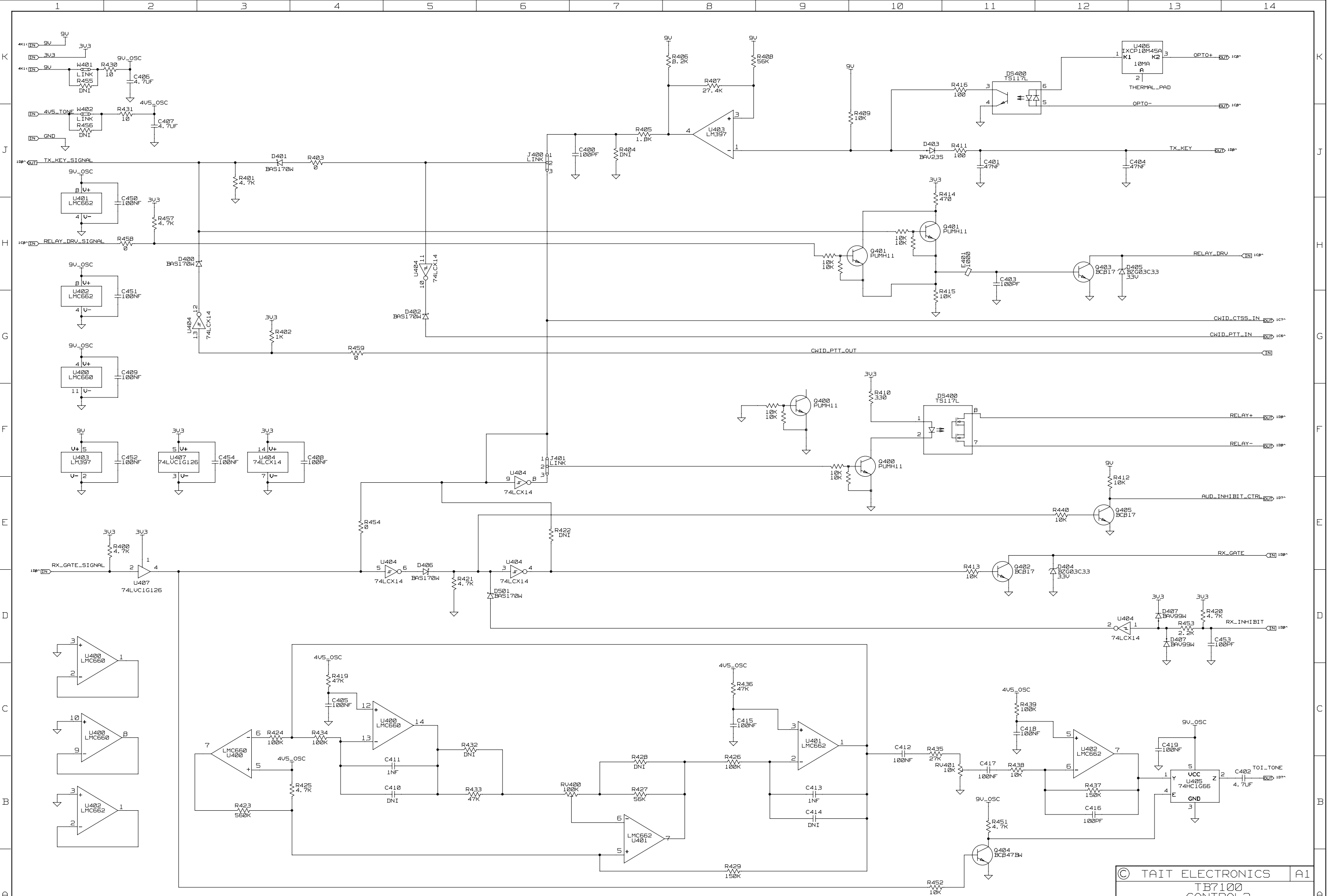


© TAIT ELECTRONICS | A1  
**TB7100**  
**UP AND FAN CONTROL**  
 IPN: 220-02077-04 | ISSUE: A | VARIANT NUMBER: ?  
 FILE DATE: Tue Apr 19 15:20:24 2005  
 ENGINEER: M. N. | FILE NAME: 220\_02077 | SHEET NUMBER: 2 OF 7

REV/ISS	AMENDMENTS	DRAWN	CHKD	D. O.	APVD	DATE
1						
2						
3						
4						

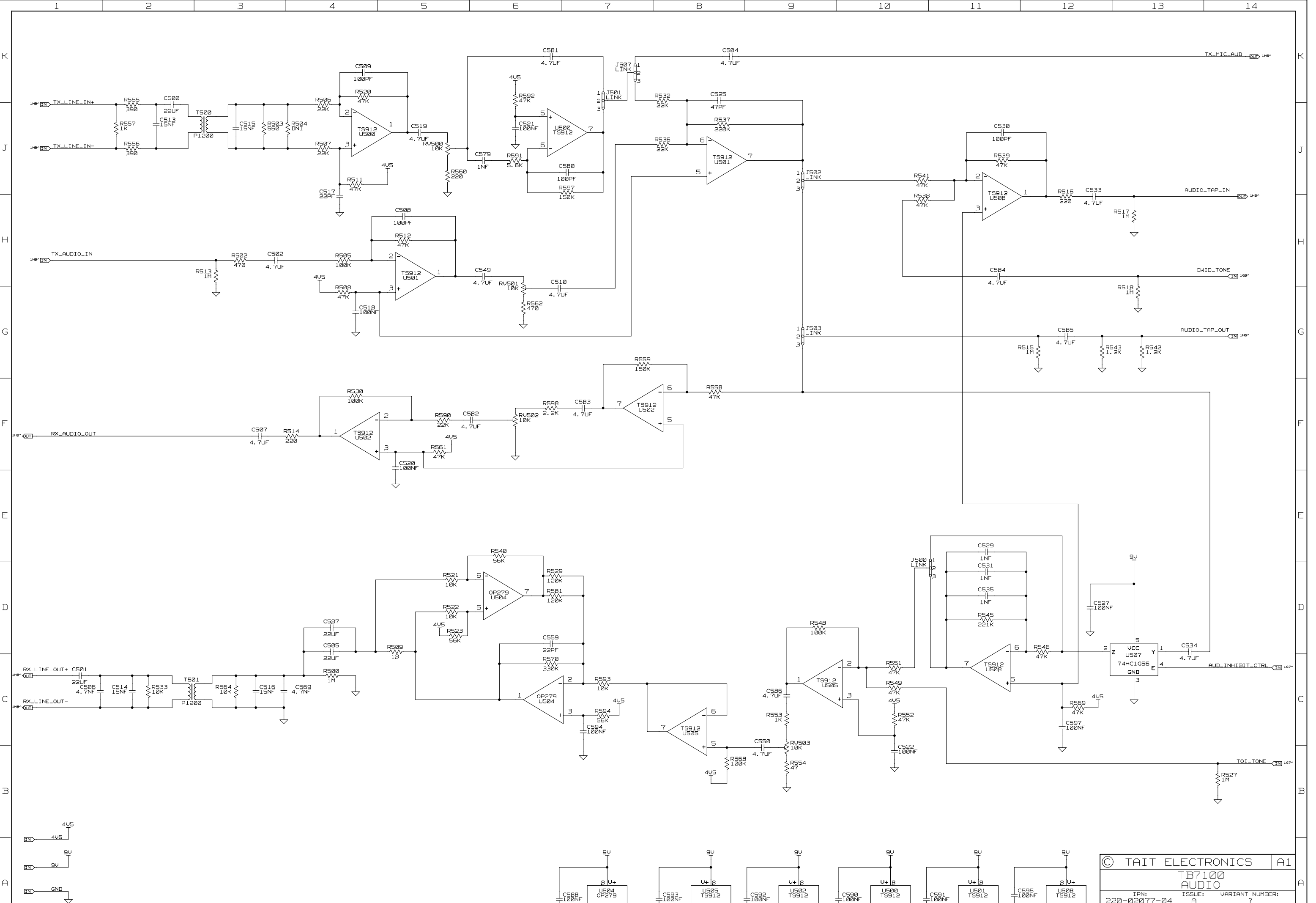


© TAIT ELECTRONICS		A1
TB7100 CONTROL		
IPN: 220-02077-04	ISSUE: A	VARIANT NUMBER: ?
FILE DATE: Tue Apr 19 15:20:20 2005		
ENGINEER: M.N	FILE NAME: 220_02077	SHEET NUMBER: 3 OF 7



© TAIT ELECTRONICS		A1
TB7100 CONTROL2		
IPN: 220-02077-04	ISSUE: A	VARIANT NUMBER: ?
FILE DATE: Tue Apr 19 15:20:32 2005		
ENGINEER: M. N.	FILE NAME: 220_02077	SHEET NUMBER: 4 OF 7

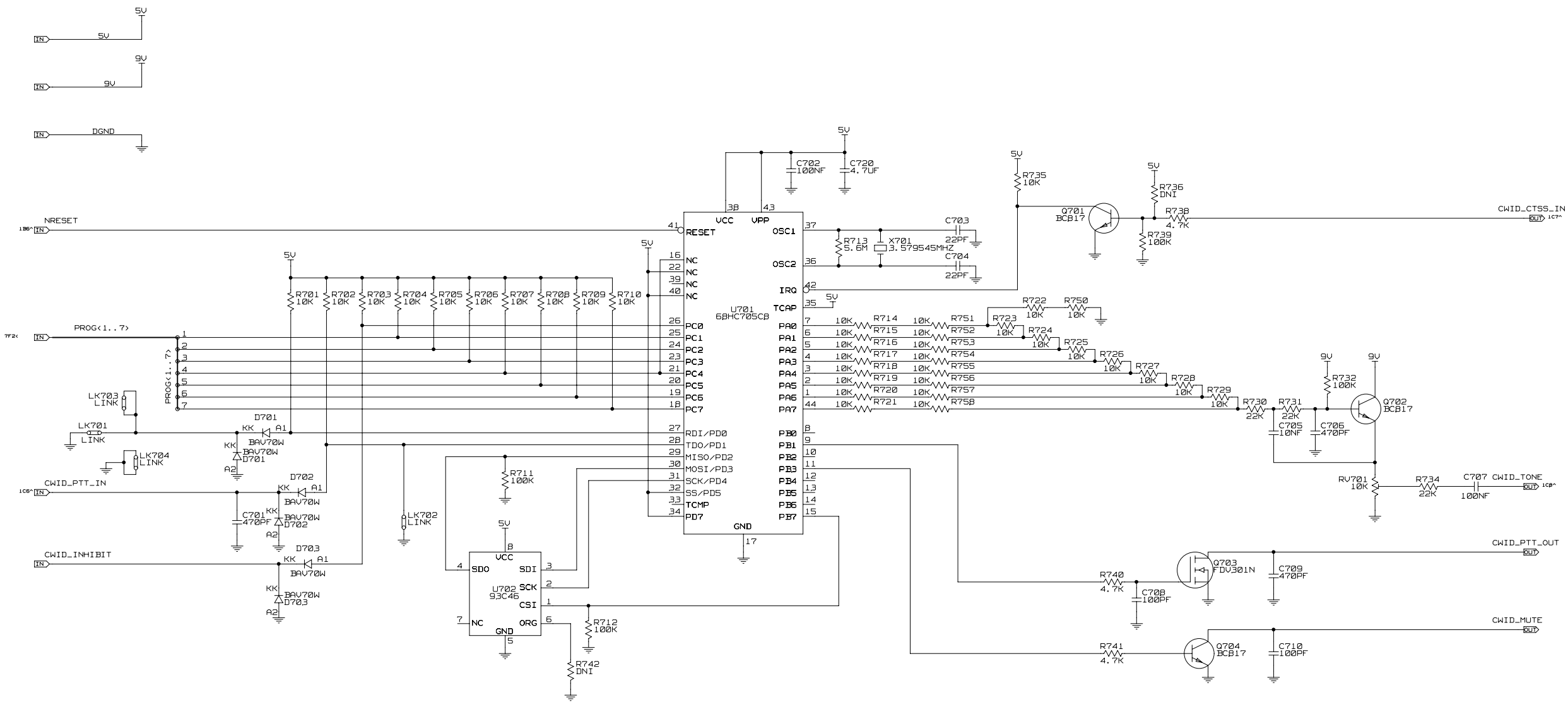
REV/ISS	AMENDMENTS	DRAWN	CHKD	D. O.	APVD	DATE
1						
2						
3						
4						
5						



REV/ISS	AMENDMENTS	DRAWN	CHKD	D. O.	APVD	DATE
1						
2						
3						
4						
5						
6						
7						
8						
9						
10						
11						
12						
13						
14						

© TAIT ELECTRONICS		A1
<b>TB7100 AUDIO</b>		
IPN: 220-02077-04	ISSUE: A	VARIANT NUMBER: ?
FILE DATE: Tue Apr 19 15:20:27 2005		
ENGINEER: M. N.	FILE NAME: 220_02077	SHEET NUMBER: 5 OF 7



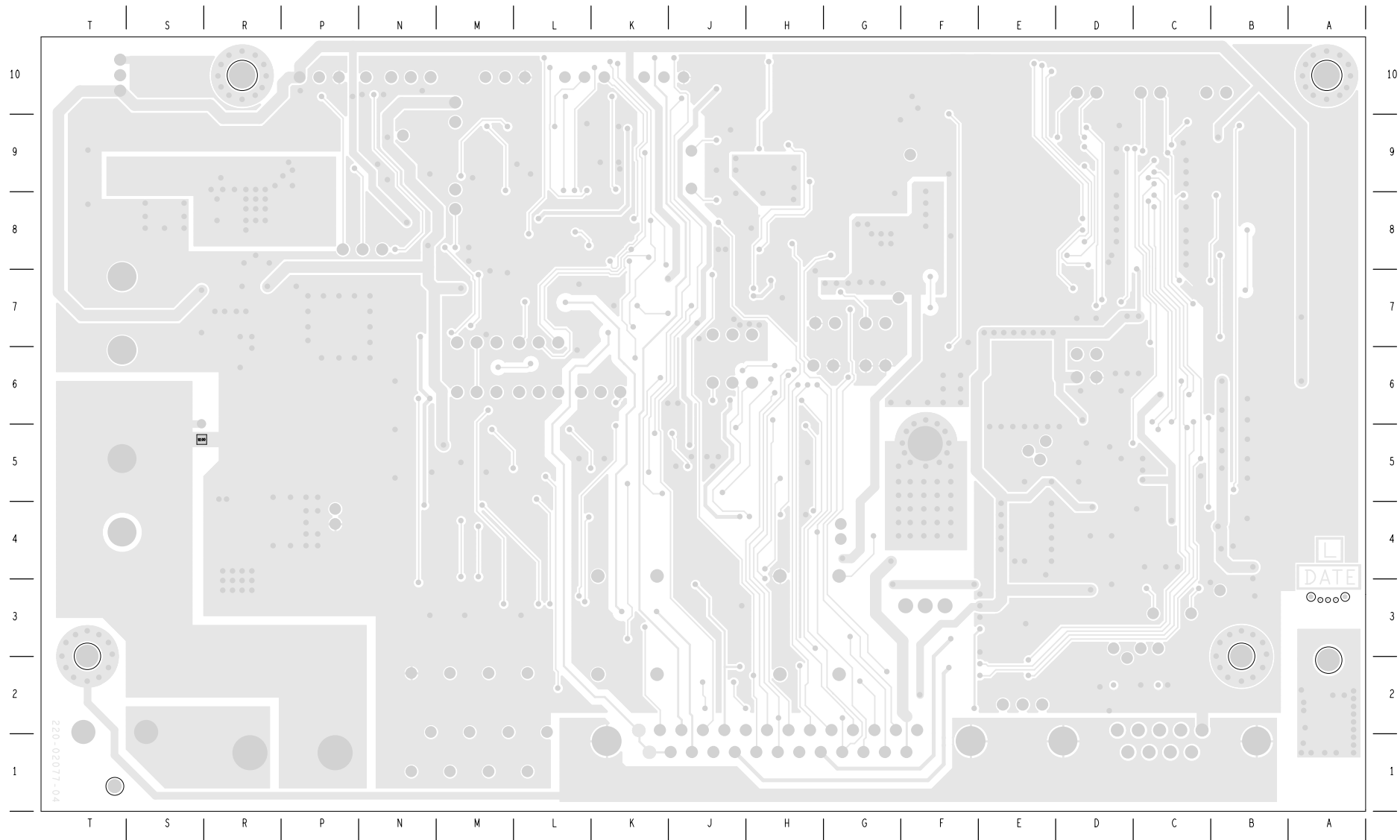


© TAIT ELECTRONICS		A1
TB7100 MIDIAN MORSE		
IPN: 220-02077-04	ISSUE: A	VARIANT NUMBER: ?
FILE DATE: Tue Apr 19 15:20:29 2005		
ENGINEER: M.N	FILE NAME: 220_02077	SHEET NUMBER: 7 OF 7

REV/ISS	AMENDMENTS	DRAWN	CHKD	D.O.	APVD	DATE
1						
2						
3						
4						
5						







TAIT ELECTRONICS	IPN: 220-02077-04	ISS: A	DATE: 14Apr05	SCALE: NTS
TB7100 System Interface LAYOUT-SECONDARY-SIDE				